

FL955F-II

WHEEL LOADER



FOTON LOVOL

LOVOL HEAVY INDUSTRY CO.,LTD.

Add:No.192 S Beihai Road,Weifang,Shandong,China. PC:261206

Tel:+86-536-7527076 Fax:+86-536-2288909 Web:www.lovol.com

Specifications and designs are subject to change without prior notice.

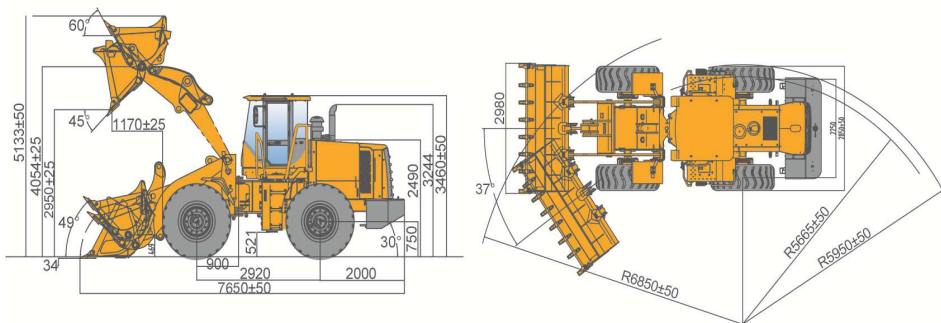
Machines shown may include optional parts.

The above parameters are subject to change without notice, the illustrations in text is not always the type of standard models.

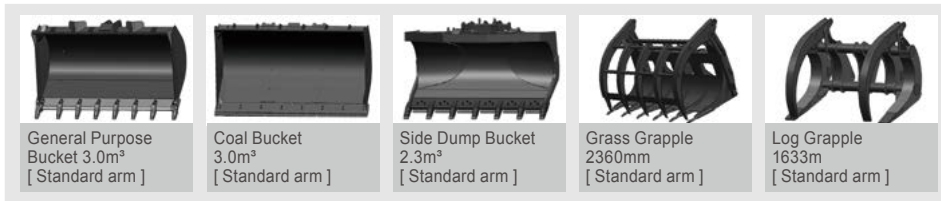
ADHESIVE FOR DEALER CONTACT

Products Information

SPECIFICATIONS		UNITS	FL955F-II		
Main Specifications	Rated Load	kg	5000		
	Operating Weight(Standard)	kg	16590		
	Bucket Capacity	m ³	3.0		
	Boom Lifting Time	S	5.57		
	Total Cycle Time	S	10.2		
	Max.Traction Force	kN	≥ 160		
	Max.Breakout Force	kN	≥ 175		
	Overall Dimension	mm	7650×2980×3460		
Engine	Model	—	WEICHAH WD10G220E23		
	Type	—	Six cylinder in line, direct injection, Turbo charged and water cooled		
	Horsepower	kW/rpm	162/2000		
	Peak Torque/Speed	N·m/rpm	900//		
	Bore×Stroke	mm	Φ126/130		
	Displacement	L	9.726		
	Fuel consumption in rated working condition	g/kW·h	210.5		
	Fuel Tank	L	280		
	Drivetrain	Travel Speed	Forward	km/h	42
			Reverse	km/h	17.5
Gear Shift		/	F2/R1		
Max.Gradeability		°	30		
Steering Angle		°	37° ±1° for each side		
Tire		—	23.5-25		
Service brake		—	single circuit, air over hydraulic , four-wheel ,caliper disc dry brake		
Parking brake		—	Flexible shaft controlled drum brake		
Min. Turning Radius		Center of Outside tire	mm	5665	
		Outside of the bucket	mm	6850	
Hydraulics	Working System Pressure	Mpa	18		
	Working System Displacement	ml/r	100		
	Steering System Pressure	Mpa	16		
	Steering System Displacement	ml/r	80		
	Oil tank	L	210		
Performance Data	Wheelbase	mm	2920		
	Wheel Tread	mm	2250		
	Min.Ground Clearance	mm	480		
	Dump Height – fully raised,45° dump	mm	2950		
	Dump Reach – fully raised,45° dump	mm	1170		



Allied attachments



Features of FL955F-II



Equipped with Weichai-STEYR engine which is powerful, environmental and economical.



Mature Shantui torque converter and excellent Hangchi power shift transmission, which endowed the wheel loader with simple structure and reliable quality. Dry-brake axle is manufactured by FOTON LOVOL with excellent performance.



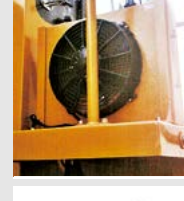
Triangle-pump flow-converging hydraulic system offers energy and high efficiency in idle speed. Rotatable hydraulic oil tank favors maintenance for pump and valve. 24° taper seal accompanied by O-ring face seal provides durable leak-free connection.



Flat glass and 360° view cab offer a full scene. Optional safety cab, which passed FOPS&ROPS test, guarantees the safety of operator.



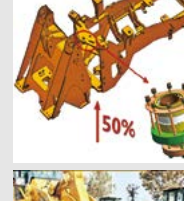
Side opening hood with gas spring makes daily checking easier. The radiator utilizes two-layer layout to allow better air flow. The adaptation to high working condition is improved, allowing normal work under 50°C.



Optimized A/C system with significant performance. Independent radiation enables the condenser a better cooling effect. Space in cab is enlarged after evaporator was moved outside of the cabin.



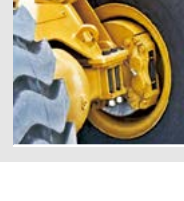
Water-proof plug connector improves reliability of electrics.



Separated by a sleeve, the axial movement of the two bearings is strictly controlled, thus prolongs durability of the hitch by 50%.



Bucket blade is made from the special advanced material with outstanding performance on wear resistance testing. More durable reliability comes from co-operating with one of the first level manufacture in China.



New designed hood in front axle protects brake caliper from sand or stone when loading. Thus could reduce abrasion of brake caliper.